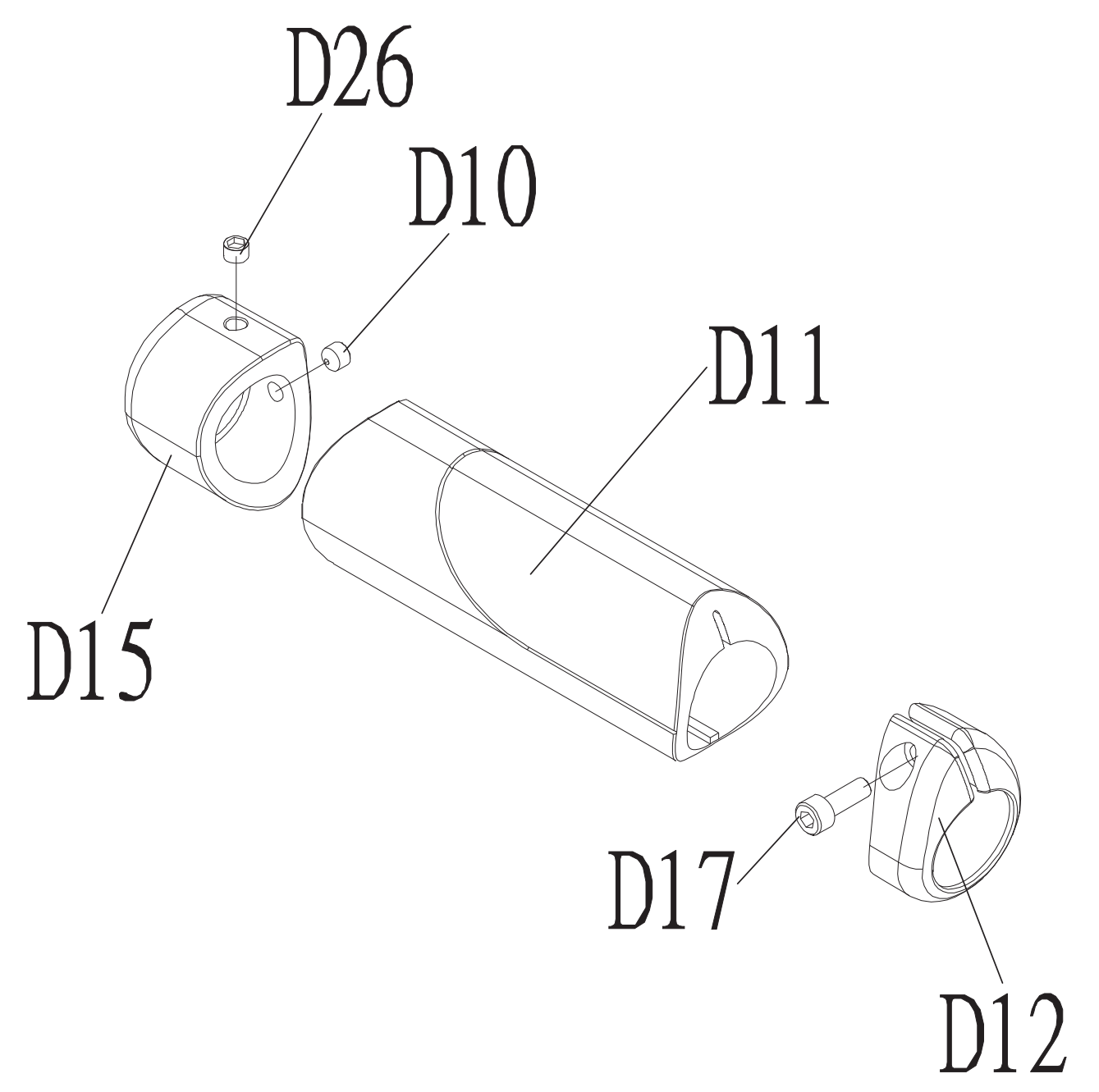
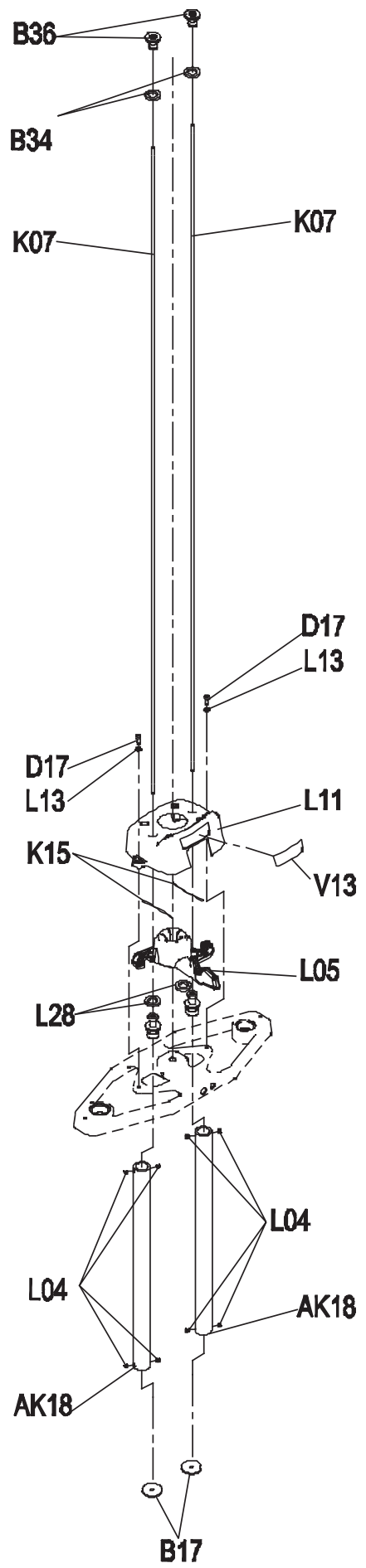


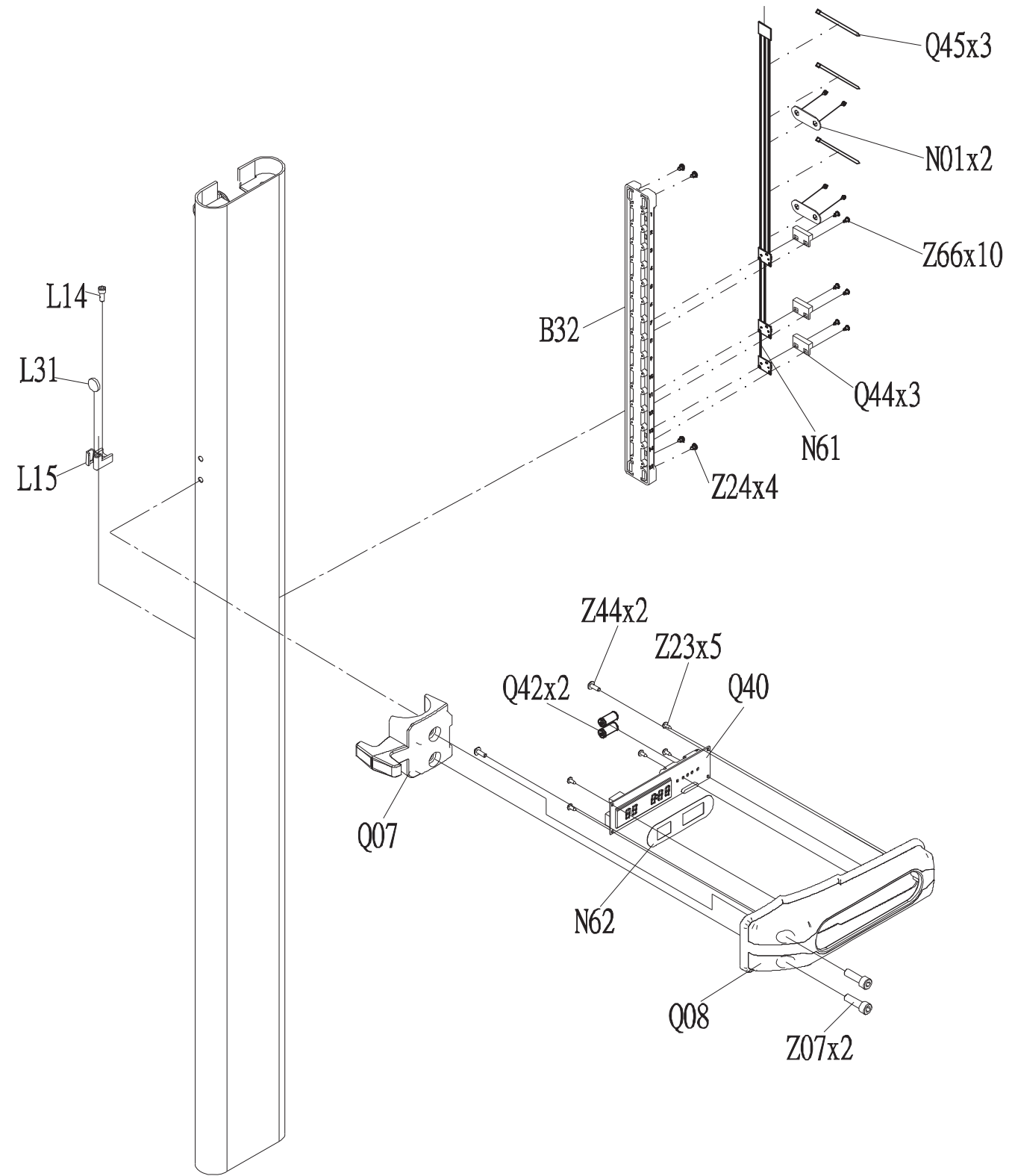
DRAWING NO	GM64-SF09		
PART NAME	Grip Set;Peadal Arm		
PART NO	096179	REV	A
APPROVE	LIUSHUO	DATE	2018.07.20



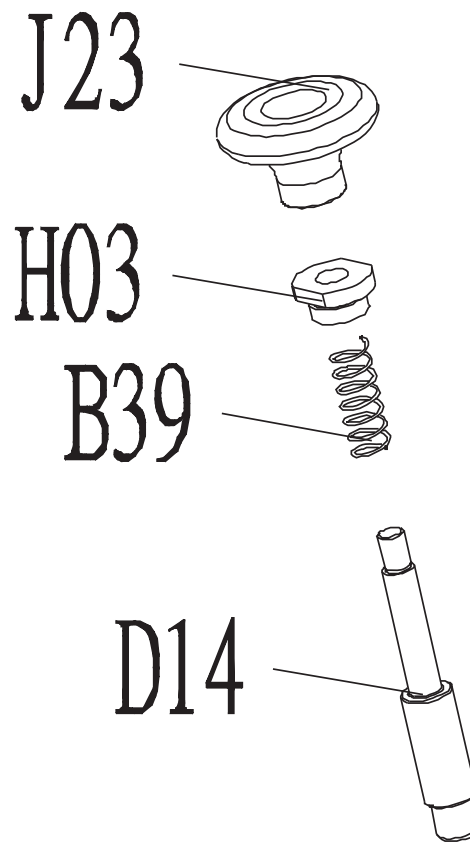
DRAWING NO			
PART NAME	Assistant weight Plate Set		
PART NO	1000113110	REV	A
APPROVE	ANDY	DATE	20130125



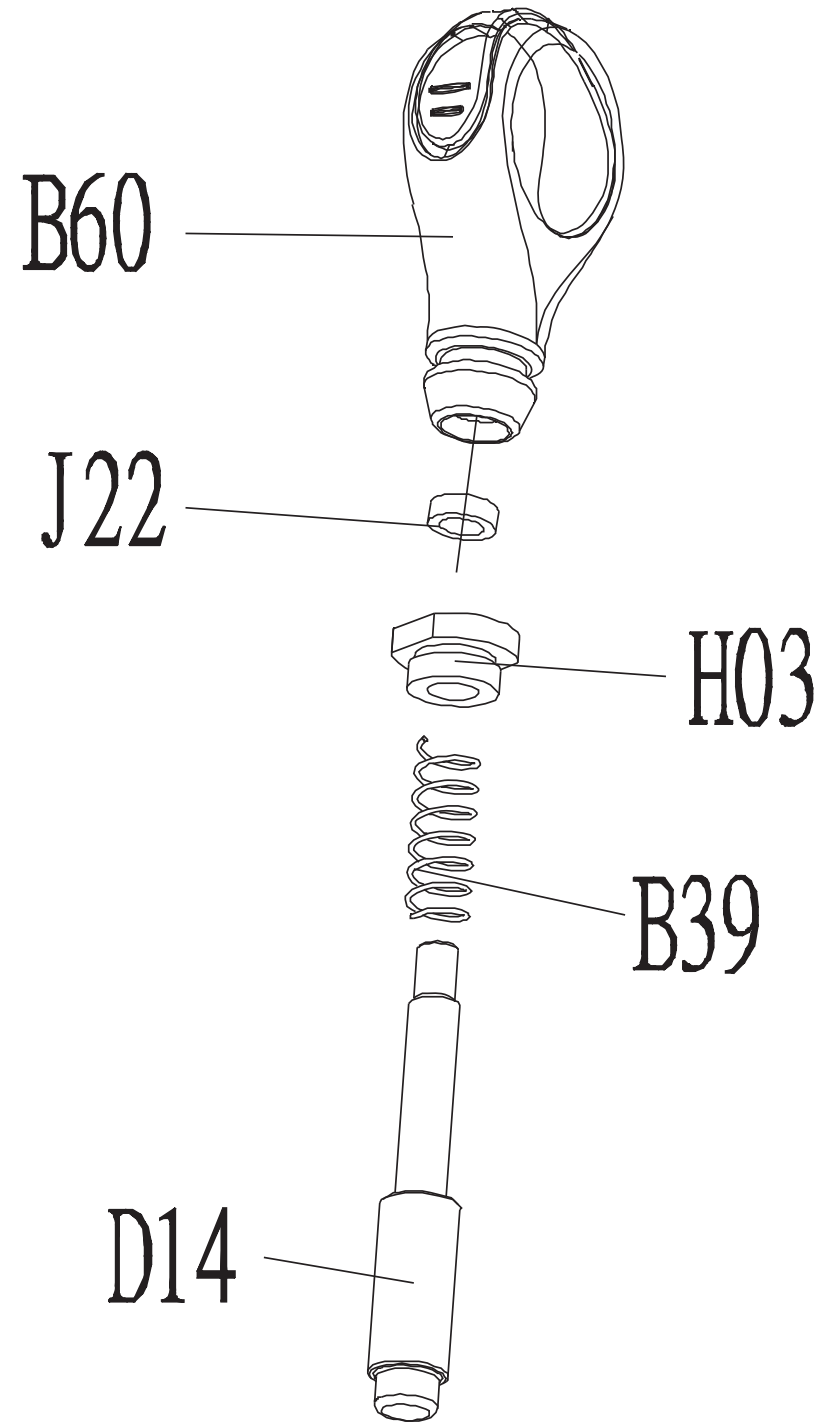
DRAWING NO			
PART NAME	SENSE ORGAN SET		
PART NO	1000200250	REV	A
APPROVE	JOHN	DATE	20120711



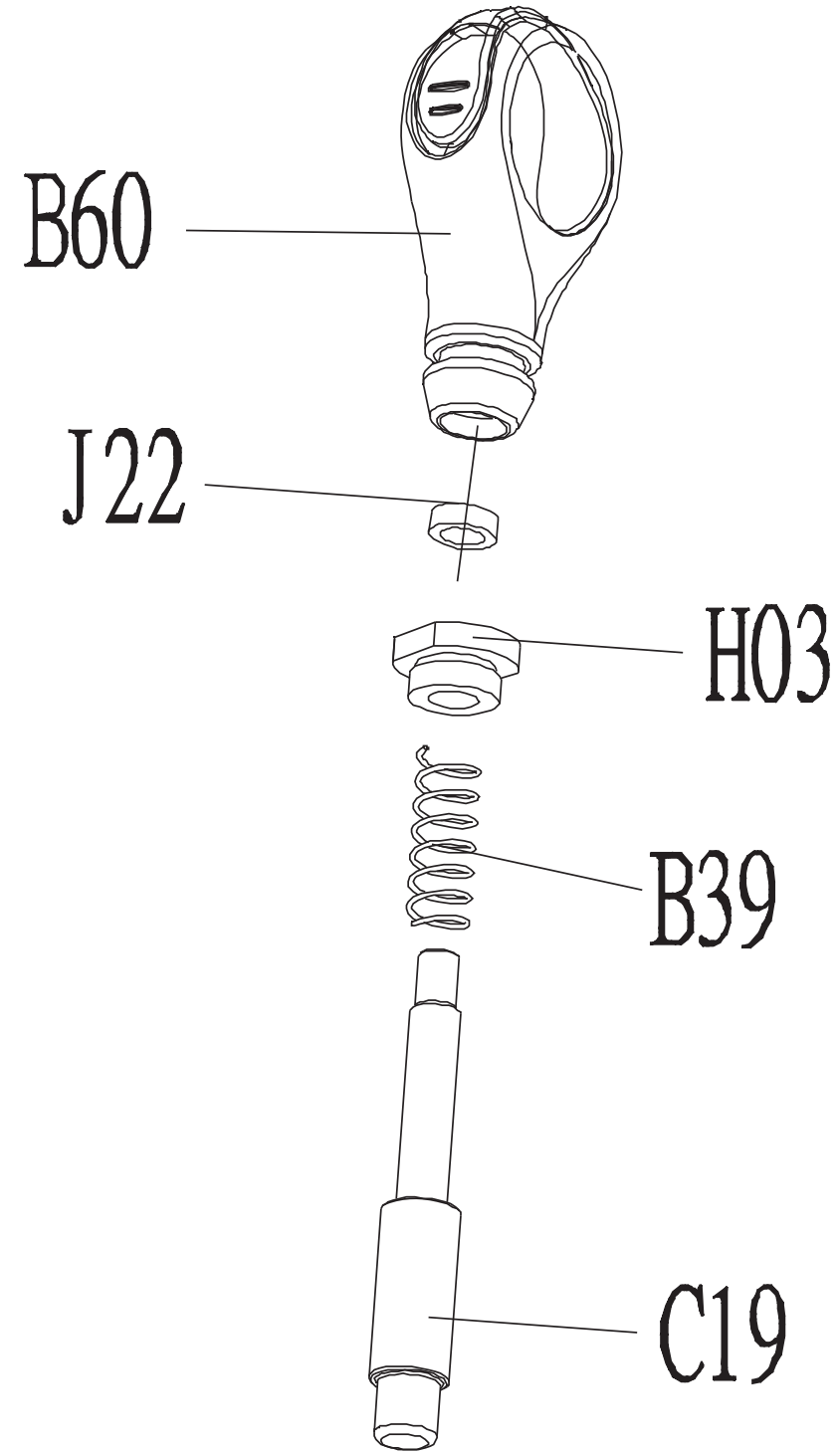
DRAWING NO	
PART NAME	PULL PIN SET-LEG PAD ADJ-VALVE
PART NO	1000201755
APPROVE	MIKE
DATE	20111210



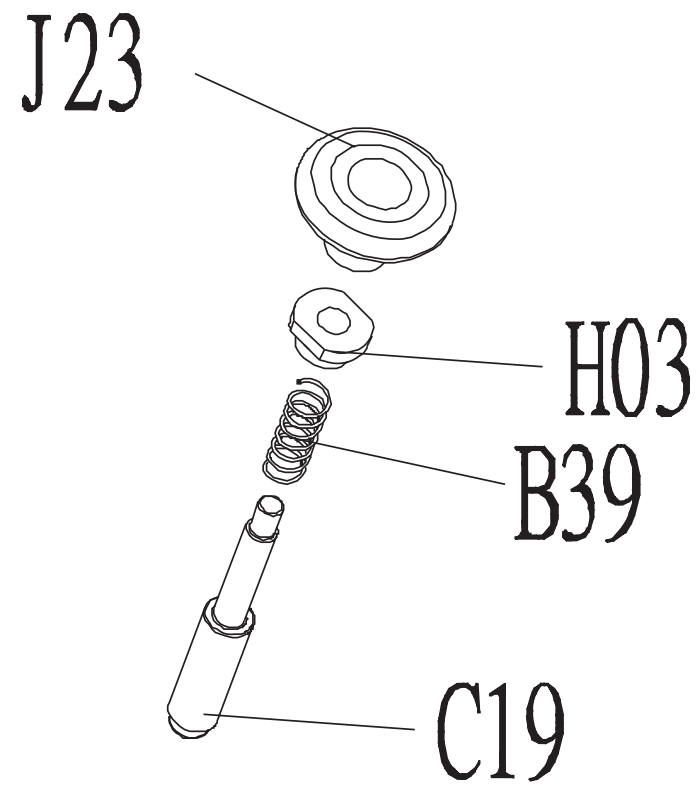
DRAWING NO			
PART NAME	PULL PIN SET;Leg Pad ADJ;Premium		
PART NO	1000201814		
APPROVE	JOHN	DATE	20120803



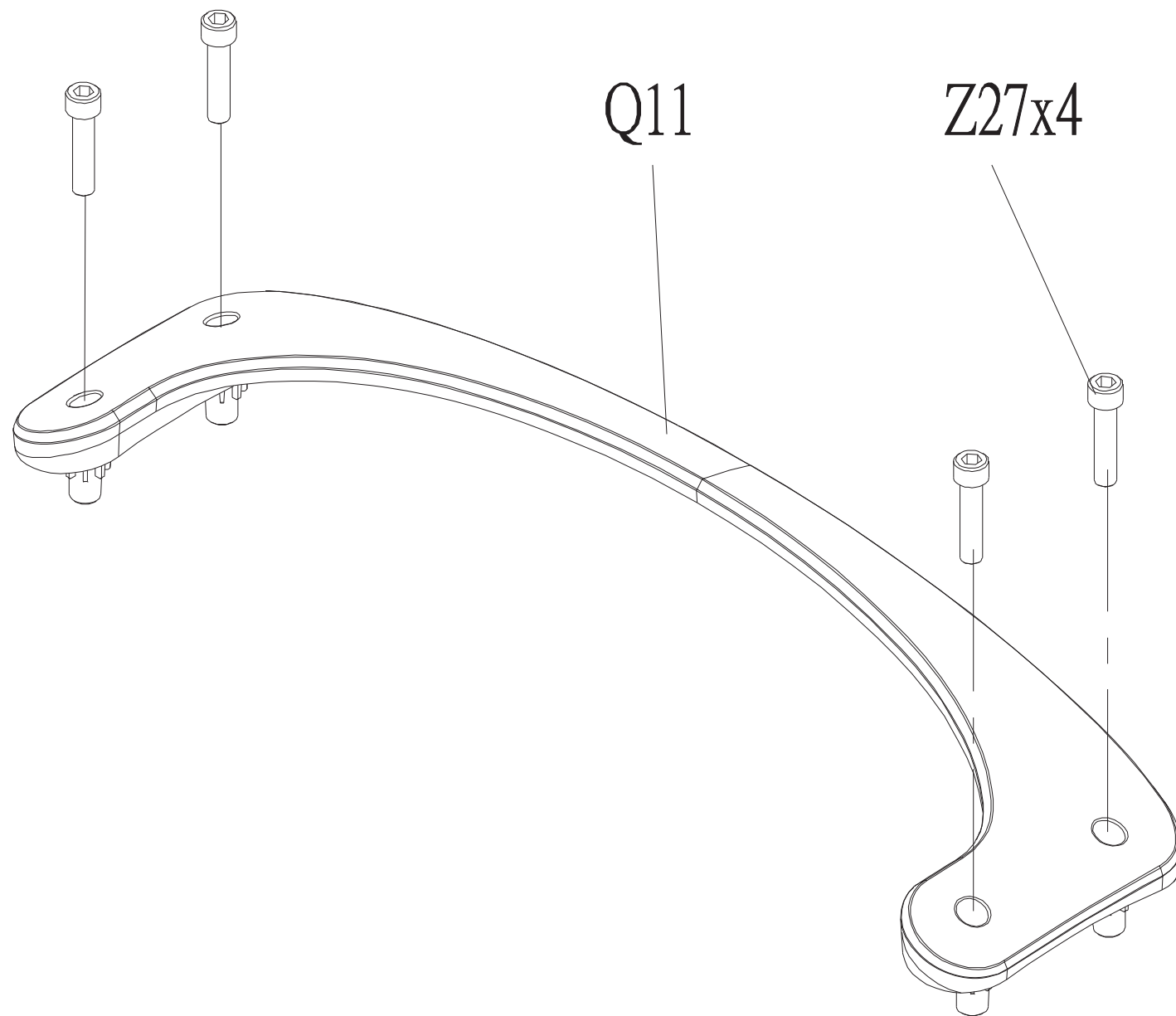
DRAWING NO			
PART NAME	PULL PIN SET;BACK PAD ADJ;Premium		
PART NO	1000217020		
APPROVE	JOHN	DATE	20120803




DRAWING NO	
PART NAME	PULL PIN SET;BACK PAD ADJ;VALVE
PART NO	1000217021
APPROVE	MIKE
DATE	20111210

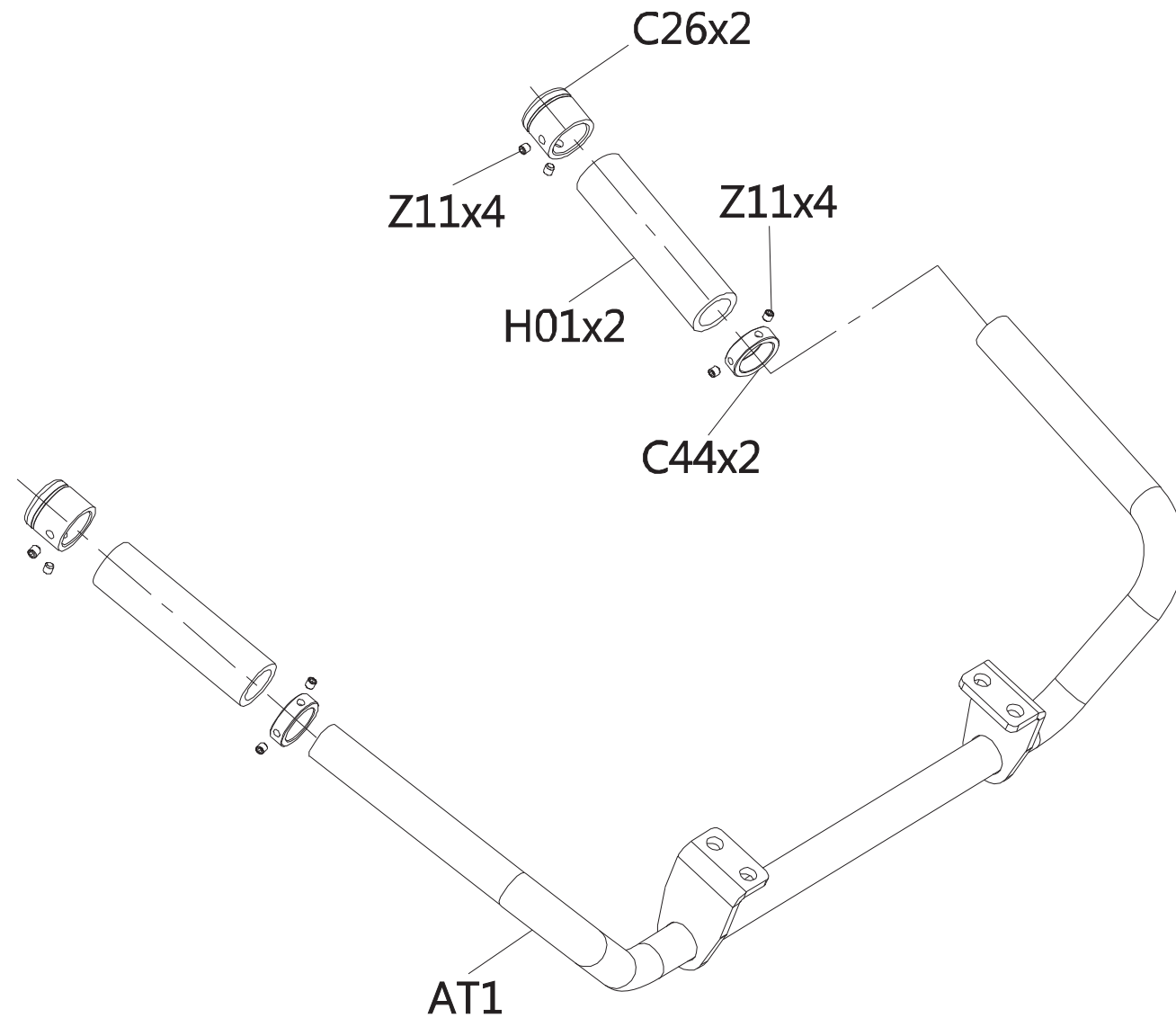


DRAWING NO	GM59-SF06		
PART NAME	Shield Set		
PART NO	See Chart	REV	A
APPROVE	Chenyng	DATE	20200121



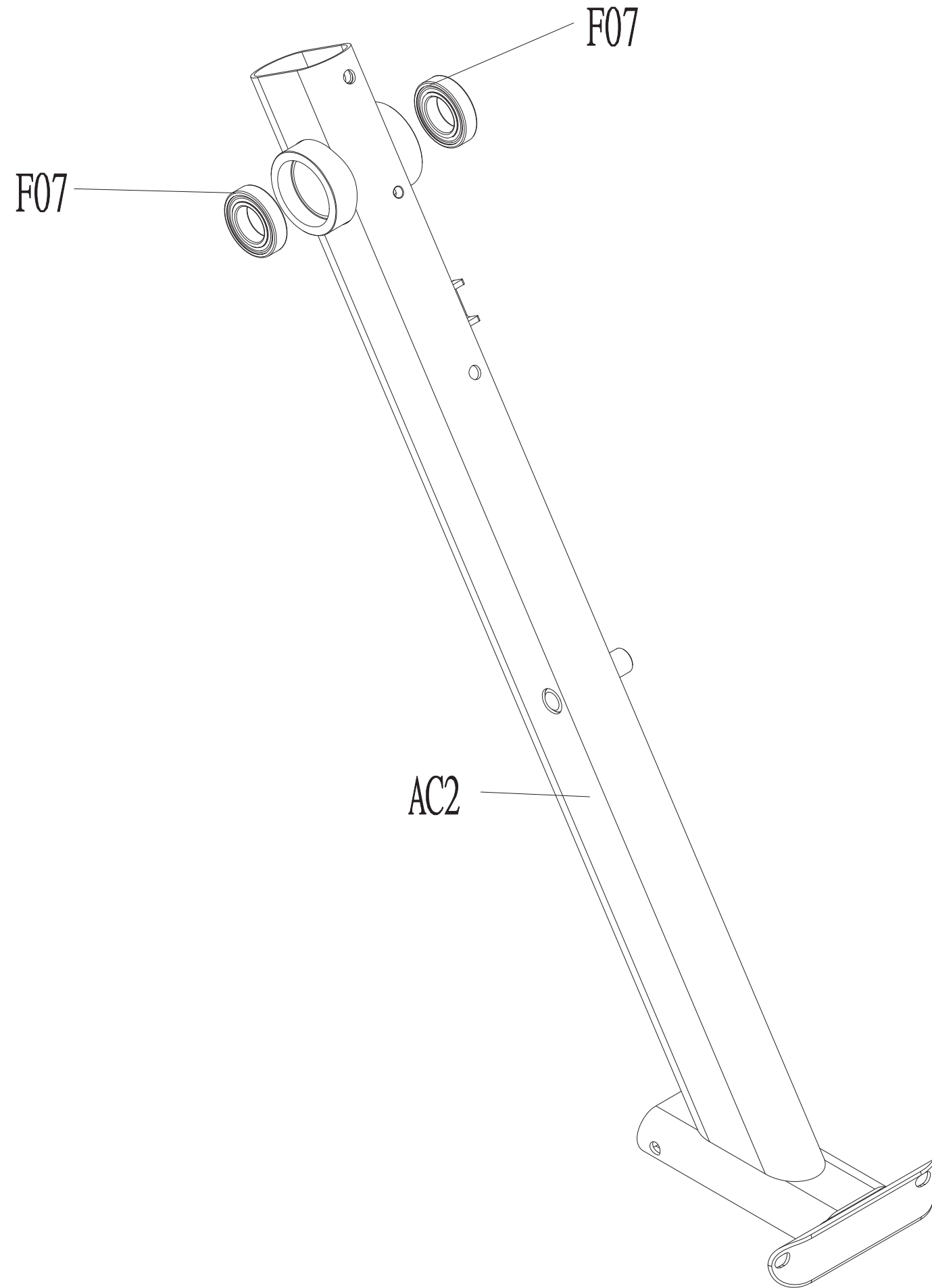
SAP NO.	Colour
1000220477	Bright Silver
1000437988	Black Matte
1000444719	Golden

DRAWING NO			
PART NAME	HANDLE SET; SEAT PAD		
PART NO	SEECHART 		
APPROVE	Chendongming	DATE	20170302



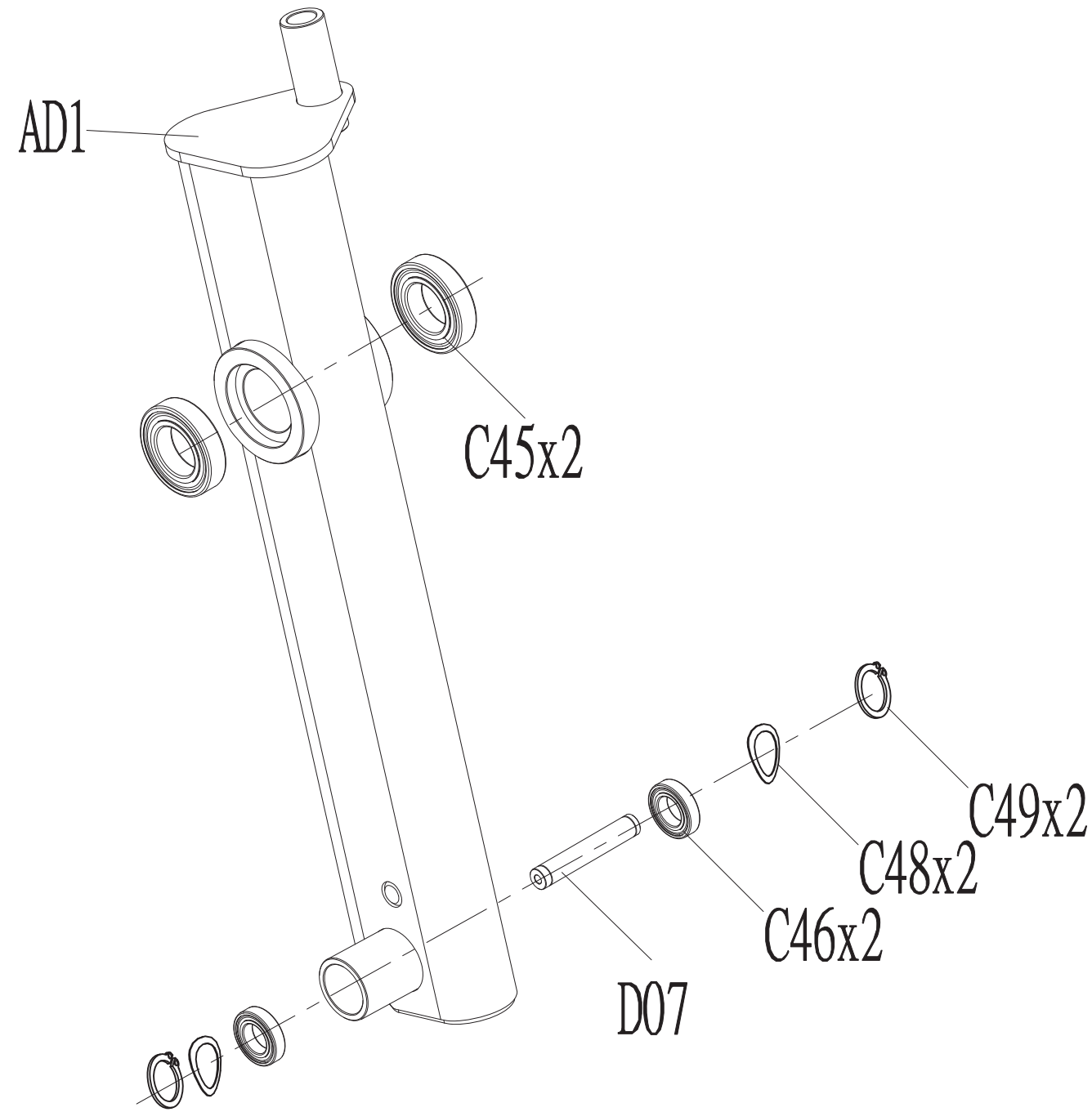
Color	Part No.
Default	1000227613
Iced Sliver	1000377451
Mat Black	1000377452
Platinum	1000377453
Pearl White	1000377454
Planet Fitness Purple	1000377455
Planet Fitness Yellow	1000377456
Lace White	1000377457
Polarized Titanium	1000377458
Golden	1000377459
Black Glossy	100037460

DRAWING NO	
PART NAME	CON-SET;SWIVEL ARM
PART NO	SEECHART B
APPROVE	JETTA DATE 20151022



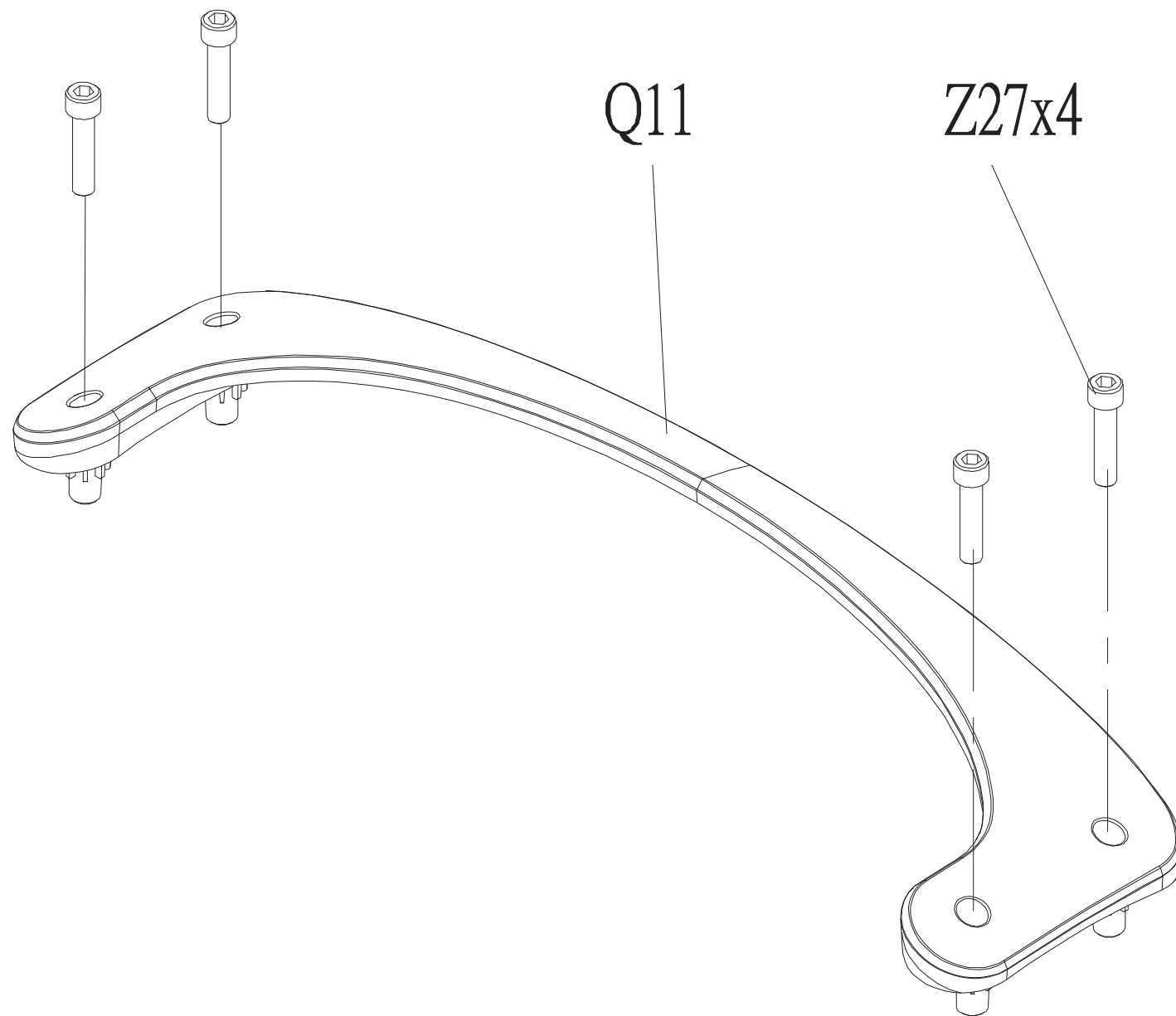
Coulour	Part no.
Default	1000201743
Iced Sliver	1000377461
Mat Black	1000377462
Platinum	1000377463
Pearl White	1000377464
Planet Fitness Purple	1000377465
Planet Fitness Yellow	1000377466
Lace White	1000377467
Polarized Titanium	1000377468
Golden	1000377469
Black Glossy	100037470

DRAWING NO	
PART NAME	HANDLE SET; SEAT PAD
PART NO	SEECHART B
APPROVE	JETTA DATE 20151022



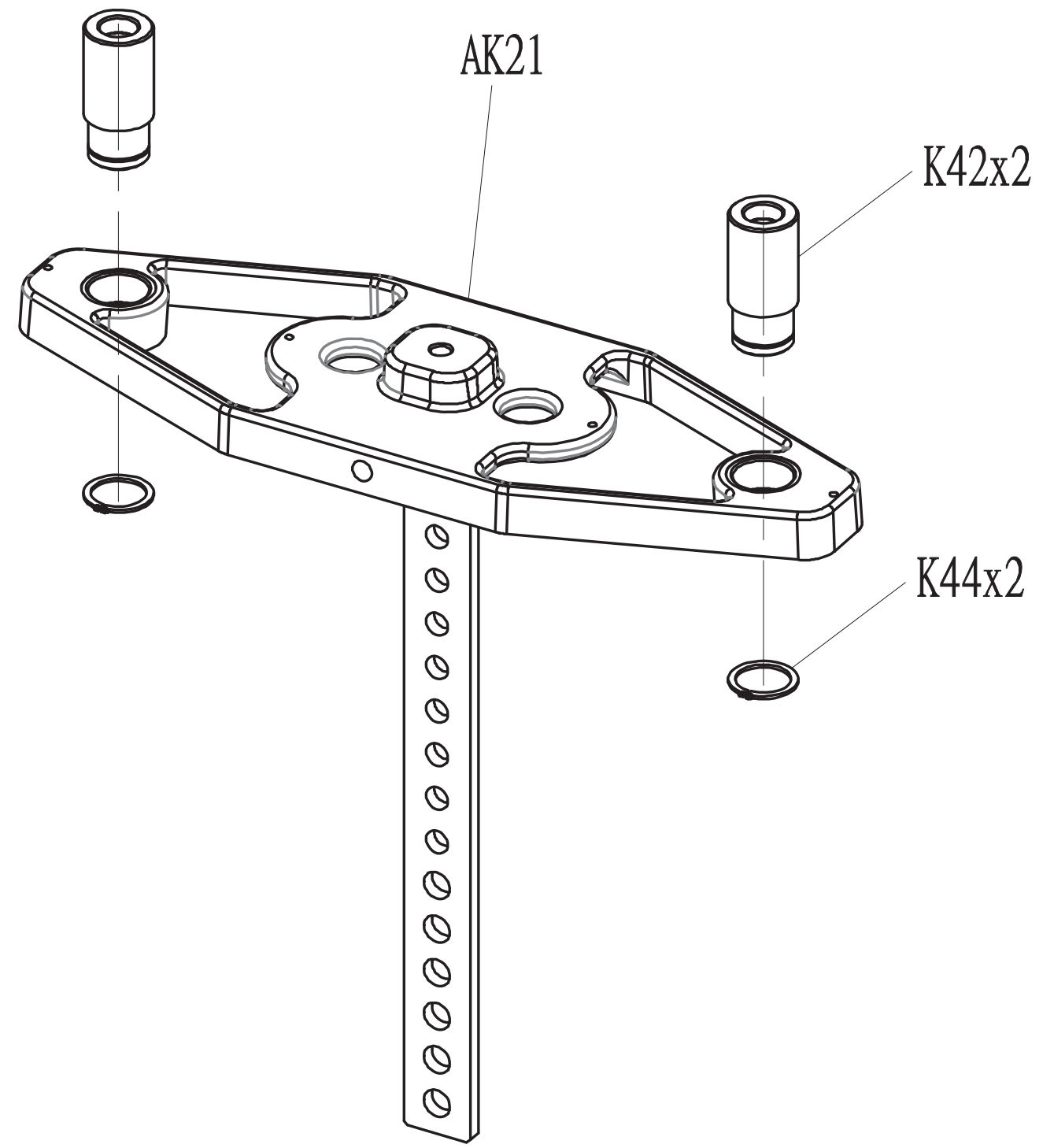
Coulour	Part no.
Default	1000201751
Iced Sliver	1000377471
Mat Black	1000377472
Platinum	1000377473
Pearl White	1000377475
Planet Fitness Purple	1000377476
Planet Fitness Yellow	1000377478
Lace White	1000377479
Polarized Titanium	1000377481
Golden	1000377483
Black Glossy	100037485

DRAWING NO	GM59-SF06		
PART NAME	Shield Set		
PART NO	See Chart	REV	A
APPROVE	Chenyng	DATE	20200121



SAP NO.	Colour
1000220477	Bright Silver
1000437988	Black Matte
1000444719	Golden

DRAWING NO	GM59-AK23		
PART NAME	Select the group		
PART NO	1000448863	REV	A
APPROVE	WangTao	DATE	2020.01.03



Bubble#	OEM Number	Description	Notes
1	1000377451	Handle set Semi-Assy GM62 Iced Sliver	
10	1000226576	PREMIUM - PULL PIN SET GM61 TWO	Premium version of Kit 4.
11	1000371985	Pin set Semi-Assy GM105	Premium version of Kit 5.
12	1000201816	Handle set SA #PREMIUM LINE# GM62	
13	1000200250	PREMIUM - REP COUNTER	
2	1000201743	BASE CONNECT SET SWIVEL ARM GM62 -	
3	1000377471	Pedal Arm set Semi-Assy GM62 Iced Sli	If produced before Dec 2014, also send AD2, D07, and Z13.
4	1000306602	Pull Pin Set FW210-KM assembly	Order Kit 10 for Premium.
5	1000217021	PIN SET SA PAD ADJUST GM62-KM	Order Kit 11 for Premium.
6	1000207217	Wps Superstratum GM59	
7	1000113110	Assistant Weight Plate Set GM59-KM	Kit works with both light and heavy weight plate stacks.
8	1000221011	PREMIUM - KIT SA - - - -	Includes all Premium Kit parts (Kits 9-13).
9	1000220477	PREMIUM - SHIELD SET U GM59 -	
AB1	1000201715	FRAME SET - GM62 -	
AC1	1000201722	USER FRAME SET - GM62 -	
AD2	1000381556	Fixed Set Leg Pad painting Iced Sliver	If produced before Dec 2014, also send kit 3, D07, and Z13.
AF1	1000227609	CAM SET SA - - - -	
AF2	1000217267	ADJUSTMENT SET - GM71-KM -	
AG1	1000227615	DISASSEMBLY CONNECT SET SA D - - -	
AG2	1000227616	DISASSEMBLY CONNECT SET SA U - - -	
AG3	1000227617	DISASSEMBLY CONNECT SET SA B - - -	
AJ1	1000211161	BACK PAD ADJUST SET EP GM62 -	
AJ2	1000217024	FIXED SET PAD - PAINTING - - GM62-KM	
AK13	1000215667	Weight Plate axle sleeve - Extrawork,10LBS GM	10lb plate
AK14	1000215776	WPS set axle sleeve - Extrawork,15LBS GM	15lb plate
AK18	1000207211	Wps Set Assistant GM59	
AK21	1000207218	Wps Set Superstratum Paint GM59	Kit works with both light and heavy weight plate stacks.
AZ2	1000227612	SUPPORT SEAT SET SA - - - -	
B10	1000230611	SUPPORT PLATE WHEEL SPHC CHM GM59	

B11	1000303546	Plastic Pad Foot Pad - PP BL427
B13	1000112985	Elastomer Weight Plate GM59
B14	1000204728	FIXING PLATE ROPE WHEEL SPHC GM59-KM
B16	1000108501	Bushing CON Rod Peadel Arm painting GM40
B17	1000112984	Elastomer Assistant Weight Plate GM59
B18	1000200252	RUBBER STOPPER - GM59
B32	1000096026	Fixing Base Sensor ABS GM40
B34	1000215843	PLASTIC PLATE FRAME CR -
B35	1000230891	SCREW SET M10X1.5PX65L FLATHEADED HS C
B36	1000215844	Guide Rod fitting, Chromed
B37	1000221624	BLOCK - - PAINTING - - -
B39	1000393222	Spring Compression 1.3x12.7x38Lx7 SWP
B42	005047-00	Washer Flat 8.2x20x1.8T Black Zinc
B45	049288-AB	WASHER FLT Diam.10.5XDiam.20.0X2.0T CHM
B48	005144-AC	Washer Flat 10.2X35.0X2.0T Chromed
B51	073573	Pulley 115mm
B58	1000102592	Stopper Plate Pulley Painting GM40
		Adjustment Grip Set - APPLY RED LOCTITE TO PIN
B60	096165	THREADS WHEN INSTALLING REPLACEMENT HANDLE
B76	1000233200	PLASTIC COVER NBR BL
C17	1000217022	SUPPORT TUBE WELDING SET - - PAINTING -
C19	1000215773	Axle Leg Pad 45# Chrome GM61
C21	1000211156	RING 20 - PULLEY
C22	1000227614	FIX SET SA - - - -
C26	009371-E	Cap Grip GM03
C28	1000090006	End Cover Seat Tube Sleeve
C37	1000207249	PLASTIC COVER - ABS 40X80
C42	1000492330	Fixing Axle Sleeve1 17x5.0L BZN FW524
C43	020126-DB	Screw Seat Stopper M8x1.25Px20L
C46	009356-B	Stopper Mast Foam AL6061 GM03
C47	1000205448	PLASTIC COVER - - - GM59
C48	1000105072	Washer WW 65Mn BAN 15.5x22.5x0.3t
C49	1000102911	Circlip External C Type S-15 BED

C50	1000215775	PLASTIC COVER ADJ PLATE PP GM61
C61	1000111017	cushion plug Rubber GM49-KM
D07	1000090771	Swivel Axle GM44
D08	1000348602	SLEEVE Leg Pad 45# Chrome GM44 5x10.0
D10	004855-AC	Set Screw M6X1.0PX4L
D11	1000110841	Grip Pedal Arm wrap rubber GM42-KM
D12	096208	Adjustment Handle Lower Stopper Ring
D15	096209	Cap Grip Peadal Arm ADC12 GM42
D17	1000108801	Screw RND M5x0.8Px15L HS CHM BP G8.8
D26	020329-00	Set Screw M6X1.0PX12L
D27	001523-E	Rubber Stop CAM
D54	1000110841	Grip Pedal Arm wrap rubber GM42-KM
F04	090443	Key Flat 10X8X20L GM30
F07	004079-A3	Ball Bearing 6006ZZ 30X55X13T TPI
F12	1000209698	ORNAMENT ADJ PLATE 3.0T SPHC : GM61-KM
F14	1000300002	Fixing Cap Guide Rail PP BL/Black C 18x
F22	1000201760	Steel Rope-Extrawork frame Press Rope H
G07	1000228973	FIX SET SA GM68
G13	1000215741	FIXED SET - RD PAINTING - - GM63
H01	1000209696	FOAM HANDLEBAR Diam.34X5.0TX120L GM61-KM
H03	1000102675	Stopper Block Pull Pin GM43
H08	1000095593	Cap Leg Pad ABS GM42
H09	1000095594	Cap Leg Pad ABS GM42
H13	096074	Stopper Ring Cap AL6061 GM42
H25	1000304394	Bousing Round Pad - PVC 60x52x30.1L GM
J17	1000107219	Pulley Cover Small Base ABS GM44-KM
J22	1000205013	Ring Pull pin SPHC White Zinc GM59-KM D
J25	067941-C	Cap 25x50x3.0T GM20
K06	1000113106	Tightwire Fix Pin 45# GM59
K07	1000113102	Guide Rod SUS304 Diam.6X1421.7 GM59
K15	1000204997	Steel Weight Plate Up 1080 Spring Steel
K17	1000202352	Cushion Guide Rod

If produced before Dec 2014, also send kit 3, AD2 and Z13.

This is a cable. Please disregard part name.

K37	1000209625	GUIDE ROD 45 - WEGHT PLATE	
K38	1000102915	Circlip E Type E-15 Cr Plate	
K42	1000215659	BUSHING GUIDE ROD POM	
K44	1000102912	Circlip External C Type S-30 BED	
K46	1000404991	Washer Flat Diam.12.5XDiam.34.0X1.5T Ch	
K47	004945-00	Nut Nylon M12x1.75P Chromed	
K48	020509-A	Washer Diam.12.5XDiam.25.0X1.0T Chrome	
L04	1000210485	SCREW SET M5X0.8PX6L FLAT POINT HS G8.8	
L05	1000200264	GRIPE ABS+TPR GM59	
L10	1000201802	PULL PIN SET WPS GM62 -	
L11	1000207213	COVER INCREMENTAL WEIGHT ABS - - -	
L13	070571	Washer Flat 5.2X10.0X1.5T CHM	
L14	1000108801	Screw RND M5x0.8Px15L HS CHM BP G8.8	
L15	1000209576	PLASTIC BASE MAGNET ABS FIXING	
L28	1000224913	Cushion Aaw Nbr BI	
L31	1000232864	PERMANENT MAGNET - 1500## ##	
N61	1000229510	WIRE DISPLAY BOARD -- OKI HARBOR 2.5-	
N62	1000096575	Overlay Manipulate GM40	
Not Shown	ZMS4003249	Decal, QR, VS-S71 Leg Ext	
Q01	1000113113	Cover Up ABS GM59	
Q02	1000113114	Cover Front Clarity ABS GM59	
Q07	1000209577	PLASTIC BASE REP COUNTER - FIXING	
Q09	1000209593	END CAP ACCENT	
Q10	1000224767	Plastic Cover - - PP - - - -	
Q12	1000209591	PLASTIC BAR - PVC - LABEL	
Q13	1000303486	Clamp Cover -	
Q42	ZMS4001255	Battery, AA for console	
Q44	001679-00	Tie Strap Adhesive Nylon 66 HC-101 W	
Q45	005811-00	Cable Tie Nylon Black 160L	
V02	1000224661	DIRECTION LABEL ADJUSTIC - PC -	
V03	1000215718	SPEC LABEL 10 LB WEIGHT PLATE BLACK PC	10lb labels.
V04	1000409123	Direction Label Weight Plate 230lbs/140k	15lb labels.
V05	1000215728	DIRECTION LABEL SEAT ADJUSTABLE PC	
V06	1000217016	DIRECTION LABEL ADJUSTIC -	

V07	1000222972	INSTRUCTIONAL LABE COVER - PC FRONT
V08	1000222973	INSTRUCTIONAL LABE COVER - PC REAR
V09	1000215704	MARKING GM59-KM
V13	1000221799	DIRECTION LABEL AAW - PC -
V22	093501	Warning sticker small GM40-KM
V33	1000232600	Warning Label - - - PC - -
Z01	1000105174	Nut Nylon M10x1.5P G12.9 CHM
Z02	1000108796	Screw RND M10x1.5Px55L HS CHM BP G12.9
Z03	020465-AB	Washer Flat M10.2X25PX2.0T Chromed
Z04	004479-ABX	Screw Hex Socket Round M8x1.25Px15L Cr A
Z05	020085-00	Screw Hex Socket Round M8x1.25Px20.0L Ad
Z06	004929-00	Nut Nylon M8x1.25P Chromed
Z07	098577	SCREW HEX M8X1.25X35L
Z08	020111-ZA	Screw Hex Socket Round M10x1.5Px125L(Too
Z09	004696-AB	Screw TH M8x1.25Px20L Hex Socket Chrom
Z10	070791	SCREW SH M10X1.5PX105L HS CHM
Z11	084241	Screw Set M6X1.0PX5L BP POT
Z12	1000104691	Screw RND M10x1.5Px30L HS G12.9 CHM BP
Z13	1000109773	Screw RND M10x1.5Px140L HS CHM BP G8.8
Z14	005130-00	Washer Flat 8.4x15.5x1.6T Chromed
Z15	1000099579	Screw SH M8X1.25PX12L HS CHM BP
Z17	004518-00	Screw SH M10X1.5PX75L HS CHM
Z20	004519-AE	Screw Round Hex Socket M10x1.5Px80L
Z22	1000108803	Screw RND M5x0.8Px12L HS CHM BP G8.8
Z23	020196-A	Screw Phillip BH Tapped 3x6L Zn-BL
Z24	004870-00	Screw Plain Tapping Rail Lock 5x15L
Z25	1000098555	Washer Flat 30.3X45X2.0T SPHC WZN
Z26	1000098556	Washer Wavy 30.5X39.2X0.4T
Z27	020081-00	Screw SH M8X1.25PX60L HS G12.9
Z28	0000086517	Screw Round Hex Socket M10x1.5Px25L
Z29	020098-AD	Screw Hex Socket Round M10x1.5Px70L Cr
Z30	1000110291	Screw SH M10x1.5Px90L P-T20L HS CHM G12.
Z31	1000231572	SCREW SH M10X1.5PX20L HS BP CHM

If produced before Dec 2014, also send kit 3, AD2,
and D07.

Z32	049252-AB	SCREW SH M10X1.5PX120L HS CHM	
Z34	004855-AC	Set Screw M6X1.0PX4L	
Z35	1000386527	Screw Set Screw M10X1.5PX10L Hex Socket	
Z36	1000108806	Screw RND M10x1.5Px15L HS CHM BP G12.9	
Z39	1000098554	Washer Flat 10.5X42X1.5T SPHC WZN	
Z40	096073	CON Plate Cap SPHC3.0t GM42	
Z41	1000097206	Screw SH M8X1.25PX25L HS CHM BP	
Z44	1000104672	Screw BH M5x0.8Px10L HS CST CST CST CHM	
Z50	004855-AC	Set Screw M6X1.0PX4L	
Z66	040816-A	Screw Phillip BH Tapped 3x8L	
AC2	Part of Kit 2	Con-Set SWIVEL ARM Painting GM62	
AD1	Part of Kit 3	PEDAL ARM - - PAINTING - - GM62	
AK21	Part of Kit 6	Wps Set Superstratum Paint GM59	
AT1	Part of Kit 1	HANDBAR SET - - PAINTING - - GM62	
C19	Part of Kit 5 or 11	AXLE, CENTRAL 45 CHM LEG PAD ADJ	
C44	1000425341	Bearing Ball BR6002ZZ CSC	
C45	1000425392	Bearing Ball 6006ZZ 30X55X13T CSC	
D14	Part of Kit 4 or 10	AXLE 45 CHM PULL PIN 1 GM61	
J15	See Pad Matrix	Leg Pad Black GM44	
J16	See Pad Matrix	Seat Pad Black Vesicant GM	
J21	See Pad Matrix	Round Pad Black GM44-KM	
J23	Part of Kit 4 or 5	Pull Pin Handle TPP ORANGE GM59	
J26	See Pad Matrix	BACK PAD MIDDLE GM59-KM	
J48	See Pad Matrix	Wear Cover	
Not Shown	1000201812	HARDWARE SET - GM62 -	
Q06	Part of Kit 13	PLASTIC PAD DISPLAY TPE	
Q11	Part of Kit 9	GRIPEND TOP COVER - - - ADC12	
Q14	Part of Kit 13	PLASTIC BASE COUNTER TPR GM59-KM	
Q40	Part of Kit 13	UCB Matrix GM40 H102S1.60	
Q48	Part of Kit 13	Fixing Base PC GM40	
V32	1000224872	LOGO LABEL GM59 WATER TRANSFER	
V34	N/A	EN LABEL PC	Discontinued
1	1000227613	HANDLE SET SA - - - -	Discontinued
10	1000201814	PREMIUM - Pin set SA ADJUS LEG PAD	Discontinued - Premium version of Kit 4.

11	1000217020	PREMIUM - PIN SET SA BACK PAD ADJUST	Discontinued - Premium version of Kit 5.
3	1000201751	PEDAL ARM SET - GM62 -	Old design (before December 2014)
4	1000201755	Pin set SA ADJUSTABLE LEGPAD GM62	Discontinued - Order Kit 10 for Premium.
AD2	1000104287	Fixing Set Leg Pad Painting GM44service	Discontinued
AF2	1000227610	ADJUST SET SA - - - -	Discontinued
B39	005485-E	Spring Stretch SWP	Discontinued
C28	001423-AA	End-Cover Seat Tube Sleeve ABS	Discontinued
C42	008234-C	Bushing Fixed Plate	Discontinued
C42	1000480948	Fixing Plate Sleeve1 20# 16x16x3.0T BOX	Discontinued
F22	1000227611	Drive set Semi-Assy Steel Rop GM62-KM	Discontinued - This is a cable. Please disregard part name.
G13	1000226805	FIX SET SA GM63 SERVE	Discontinued
Q13	1000209592	CLAMP COVER TINNEMAN D43806-014 - - -	Discontinued
V04	1000215727	DIRECTION LABEL WEIGHTPLATE#15LBS PC	Discontinued - 15lb labels.